

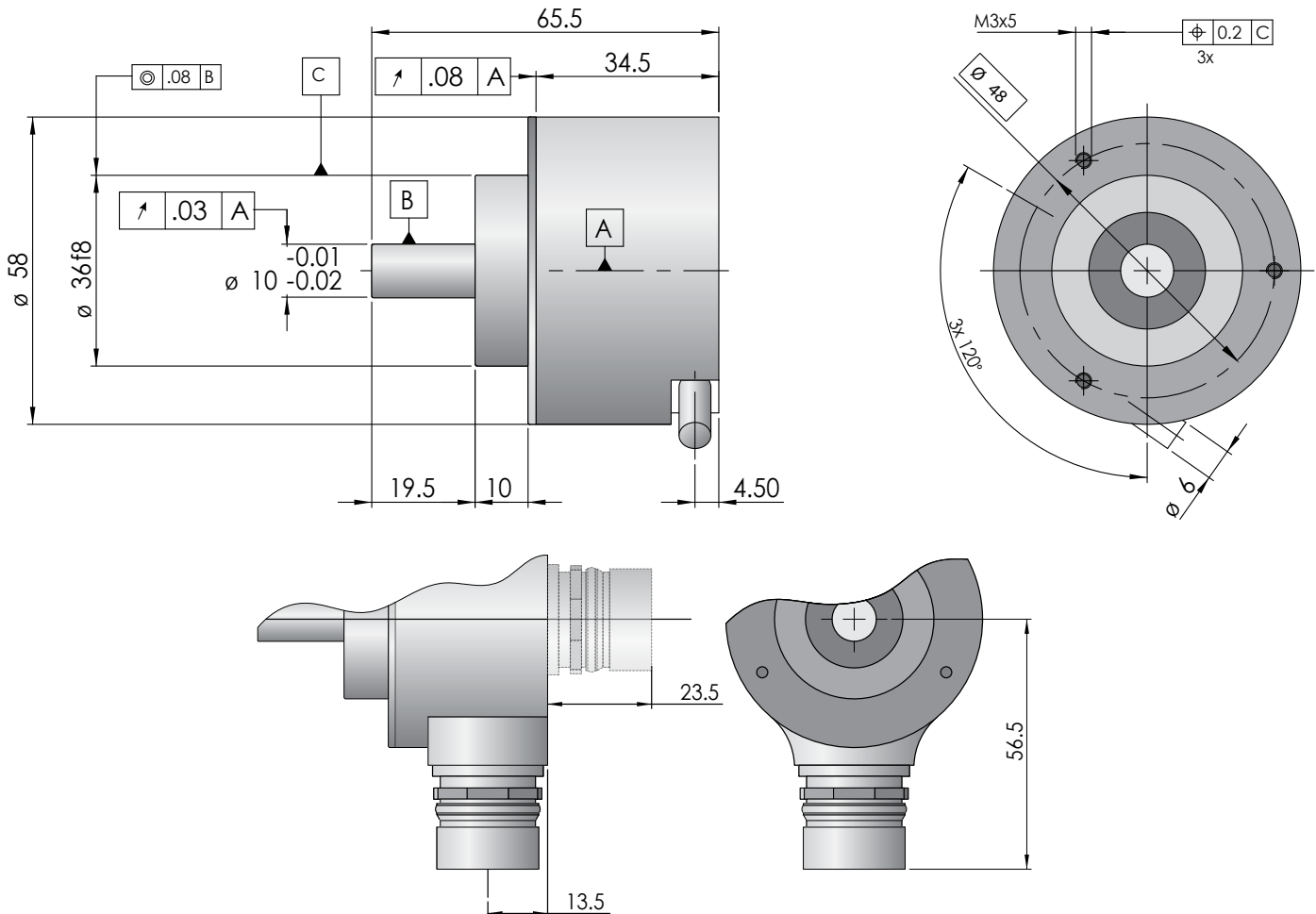
## RC 58 series



- Clamping flange mounting
- 10mm Solid shaft
- Line counts up to 5,000
- Typically used for motor feedback, speed control, positioning, robotics, and conveyors

### Compatible with:

- Heidenhain ROD 400 Series - ROD 420, ROD 430, ROD 480



# RC 58 series

	RC 5801	RC 5802	RC 5805	RC 5810	RC 5800	RC 5811
<b>Line count</b>	1000, 1024, 1250, 2000, 2048, 2500, 3600, 4096, 5000					
<b>Pulses per revolution</b>	1x line count	2x line count	5x line count	10x line count	1x line count	1x line count
<b>Output Signal</b>	TTL/RS422				1 Vpp	11 uA
<b>Max. output frequency</b>	≥ 160 kHz	≥ 320 kHz	≥ 800 kHz	≥ 1 MHz	≥ 180 kHz	≥ 180 kHz
<b>Max. mechanical speed</b>	12,000 RPM					
<b>Accuracy grade</b>	1/10th of the grating period					
<b>Reference mark</b>	Single					
<b>Max. axial load</b>	1 kg					
<b>Max. radial load</b>	2 kg					
<b>Supply voltage</b>	5 V ± 5%					
<b>Supply current (without load)</b>	≤ 120 mA					
<b>Outlet type</b>	Cable or housing connector (12 pin round)					
<b>Max. cable length</b>	100 m				150 m	5/25**m
<b>Environmental protection</b>	IP64 (IEC 60529)					
<b>Operating temperature range*</b>	-20°C...+70°C					
<b>Storage temperature range</b>	-30°C...+80°C					
<b>Humidity</b>	98% (non-condensing)					
<b>Vibration (55 ÷ 2000 Hz)</b>	≤ 100 m/s <sup>2</sup> (IEC 60068-2-6)					
<b>Shock (6 ms)</b>	≤ 1,000 m/s <sup>2</sup> (IEC 60068-2-27)					
<b>Weight (without cable)</b>	Approx. 0.3 kg (0.7 lb)					
<b>Rotor moment of inertia</b>	≤ 2.7 · 10 <sup>-6</sup> kgm <sup>2</sup>					
<b>Starting torque</b>	≤ 0.01 Nm					
<b>Recommended coupling</b>	RC 58					

\*for best accuracy, operating outside 0°C...+50°C is not recommended  
 \*\*combined length from encoder to interpolator box and from the interpolator to controller

How to Order <i>example: RC 5811-1250-C</i>		
RC 58XX	-XXXX	-X
<b>Model</b>	<b>Line count</b>	<b>Outlet type</b>
<ul style="list-style-type: none"> <li>RC 5800</li> <li>RC 5801</li> <li>RC 5802</li> <li>RC 5805</li> <li>...</li> </ul>	<ul style="list-style-type: none"> <li>1000, 1024, 1250, 2000, 2048, 2500, 3600, 4096, 5000</li> </ul>	<ul style="list-style-type: none"> <li>C - housing connector</li> <li>1 - 1m cable</li> <li>2 - 2m cable</li> <li>3...</li> </ul>