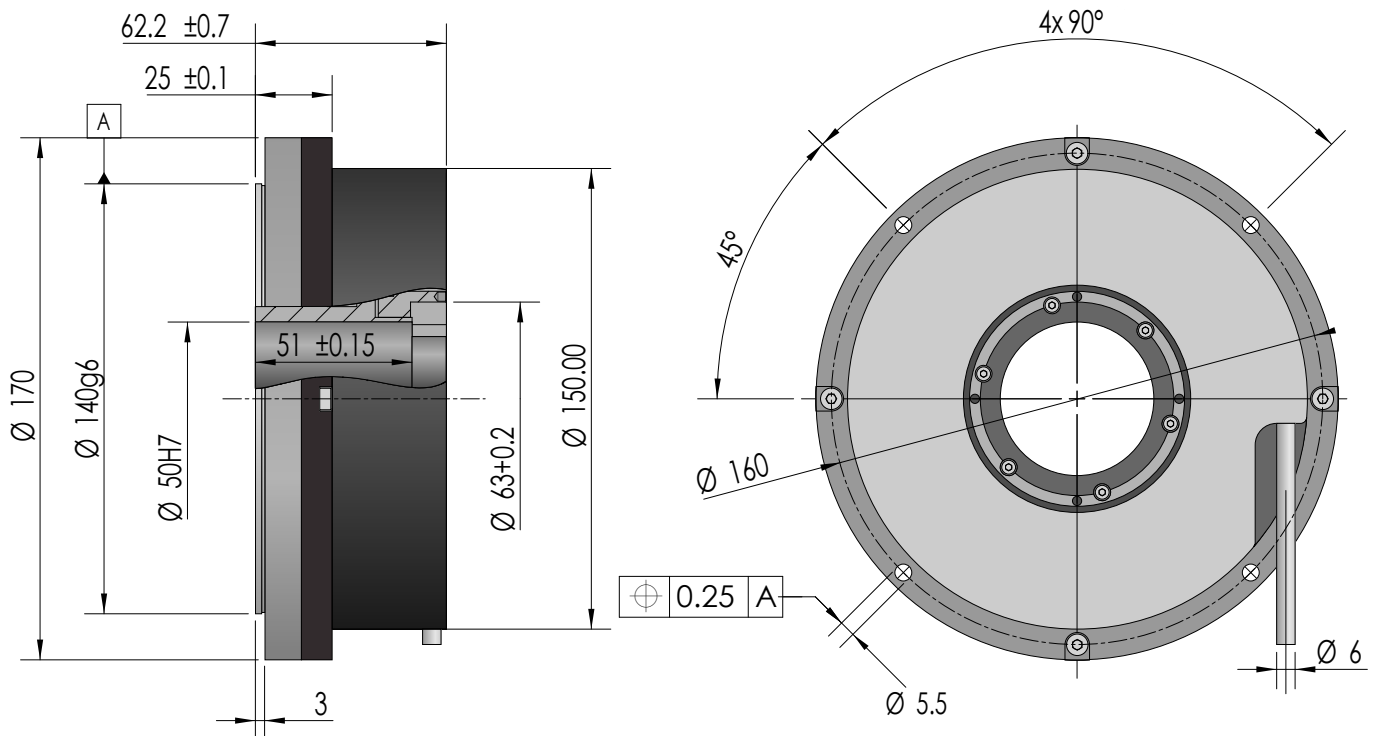
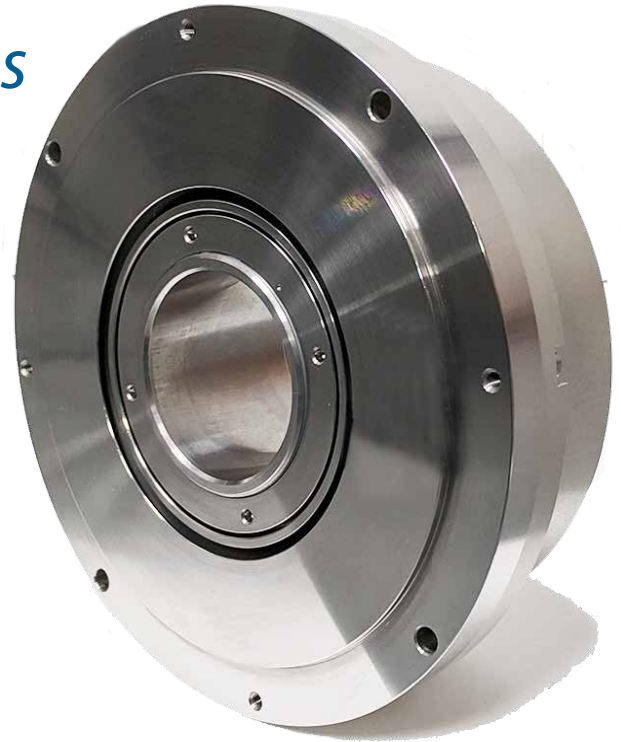


AH 170 series

- Hollow shaft w built in housing coupling
- 18,000 & 36,000 lines per disc
- Accuracy up to ± 2.0 arc seconds
- Typically used precision positioning and synchronization of rotary tables, industrial robots, radars, telescopes, and satellite antennas

Compatible with:

- Heidenhain RON 700 series - RON 785, and RON 785C



AH 170 series

	AH 17001	AH 17005	AH 17010	AH 17000
Line count	18,000/36,000			
Pulses per revolution	18,000/36,000	90,000/180,000	180,000/360,000	18,000/36,000
Output Signal	TTL/RS422			1 Vpp, differential
Max. output frequency	≥ 160 kHz	≥ 800 kHz	≥ 1 MHz	≥ 180 kHz
Max. mechanical speed	500 RPM			
Measuring step	0.005°/ 0.0025°	0.001°/0.0005°	0.0005°/0.00025°	<i>depends on external circuitry</i>
Accuracy grade	± 2.0 arc sec			
Reference mark	Single or 36/72 distance coded marks per revolution			
Permissible axial shaft play	0.1 mm			
Supply voltage	5 V ± 5%			
Supply current (without load)	≤ 150 mA			
Outlet type	Cable or housing connector (HR25 miniature 8 pin round)			
Max. cable length	100 m		150 m	
Environmental protection	IP64 (IEC 60529)			
Operating temperature range*	-20°C...+70°C			
Storage temperature range	-30°C...+80°C			
Humidity	98% (non-condensing)			
Vibration (55 ÷ 2000 Hz)	≤ 100 m/s ² (IEC 60068-2-6)			
Shock (6 ms)	≤ 200 m/s ² (IEC 60068-2-27)			
Weight (without cable)	Approx. 4.0 kg (8.8 lb)			
Rotor moment of inertia	≤ 1.1 · 10 ⁻³ kgm ²			
Starting torque	≤ 0.5 Nm			
Natural frequency	≥ 1,000 Hz			

*for best accuracy, operating outside 0°C...+50°C is not recommended

Ordering Guide *example: AH 17005-D-4*

AH 170XX	-X	-X
Model	Reference mark	Outlet type
<ul style="list-style-type: none"> AH 17000 AH 17001 AH 17005 AH 17010 	<ul style="list-style-type: none"> S - single D - distance coded 	<ul style="list-style-type: none"> C - housing connector 1 - 1m cable 2 - 2m cable 3...